



CAROUSEL system

The basic CAROUSEL system consists of four rotating trays stacked on the top of each other and secured to a stable metal base by a central column. The whole unit can be tilted through 20°. They can be supplied with diameter 450 or 600mm and are available in black dissipative material (R_{sup} 10⁶-10⁹Ω), or orange non antistatic version.

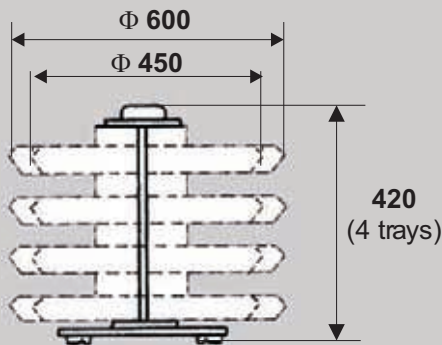
Two different sizes are available: 450mm and 600mm



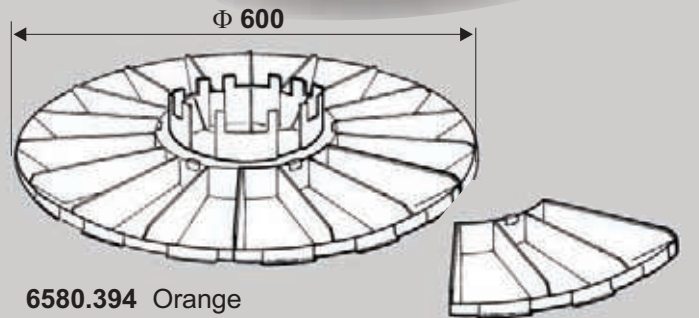
Standards models have 4 trays, but it is easy to assembly carousels with different heights by means of single trays and of the assembly kit. It is possible to mix different diameter trays on the same kit, because the central hanging part is the same.



- 7804.615** Carousel system, 4 trays 450mm dia. Black-ESD
- 7804.620** Carousel system, 4 trays 600mm dia. Black-ESD
- 7804.616** Carousel system, 4 trays 450mm dia. Orange-non ESD
- 7804.621** Carousel system, 4 trays 600mm dia. Orange-non ESD
- 6580.390** 450mm TRAY Orange non-ESD
- 6580.391** 450mm TRAY black ESD
- 6580.394** 600mm TRAY Orange non-ESD
- 6580.395** 600mm TRAY black ESD
- 6580.396** Assembling KIT, for 1 tray, without bins
- 6580.397** Assembling KIT, for 2 trays, without bins
- 6580.398** Assembling KIT, for 3 trays, without bins
- 6580.399** Assembling KIT, for 4 trays, without bins
- 6580.400** Assembling KIT, for 5 trays, without bins

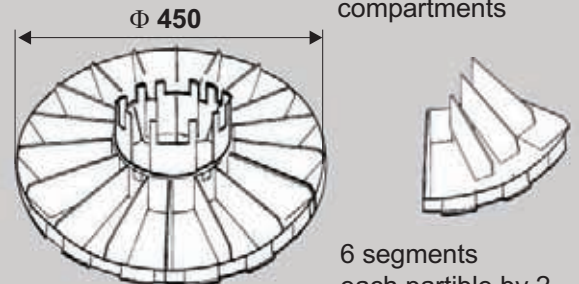


6580.396-397-398-399-400
Assembling KIT without bins



6580.394 Orange
6580.395 black ESD

6 segments with 3 fixed compartments



6580.390 Orange
6580.391 Black ESD

6 segments each partible by 2 or by 3

